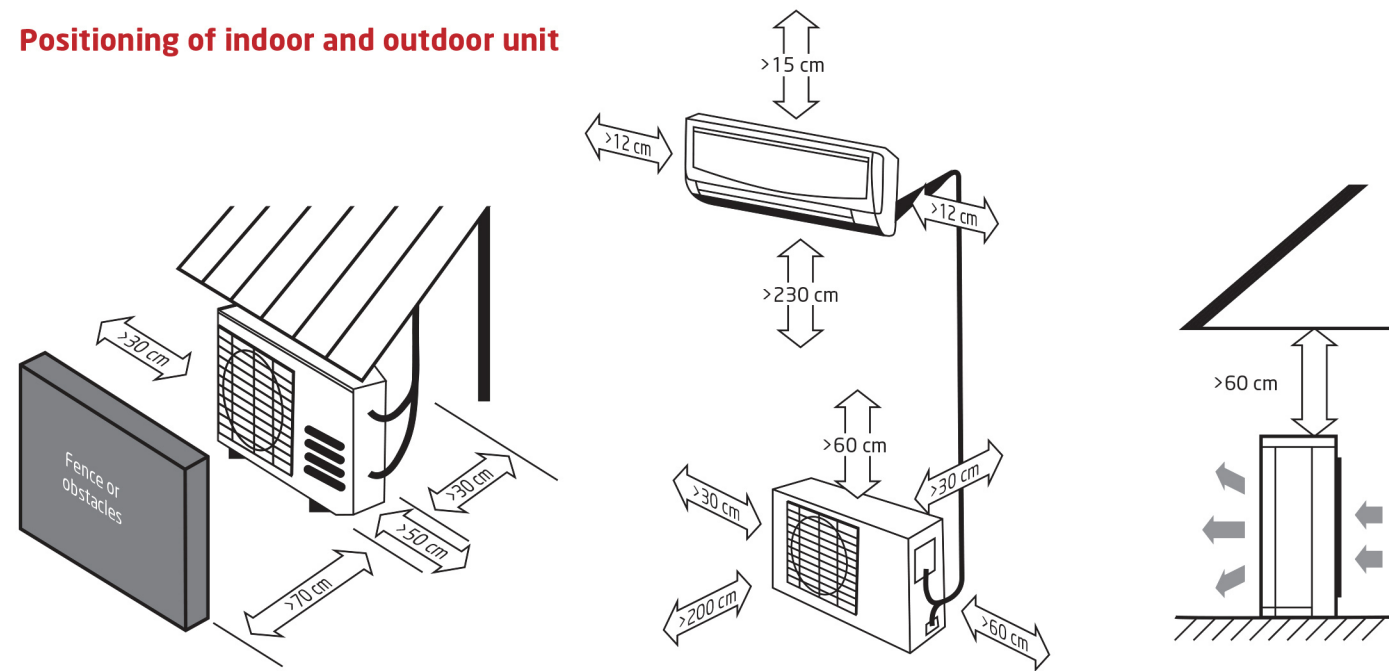


Positioning of indoor and outdoor unit



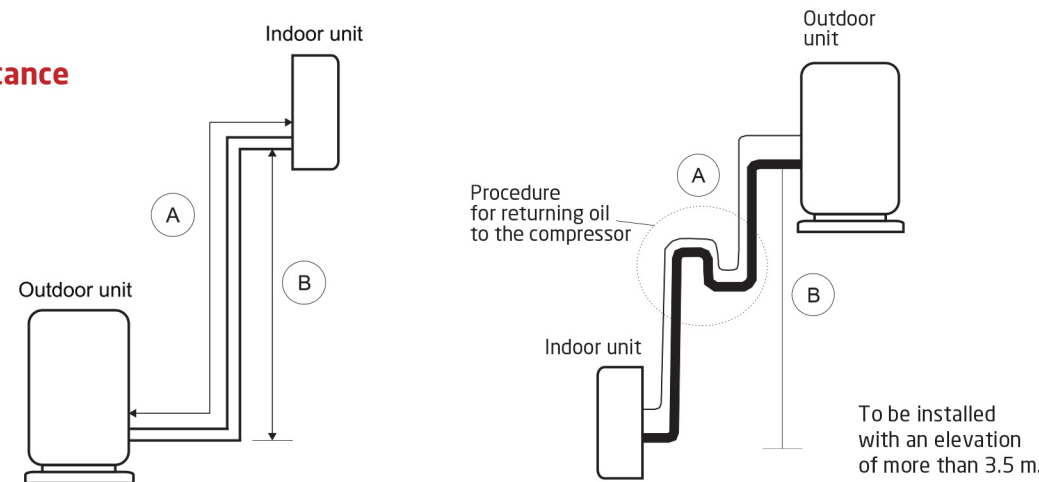
Calculation of necessary cooling power of an air conditioner

Surface of the room	20 m ² x 70 W* = 1 400 W
Surface of the windows on the sunny side	3 m ² x 30 W = 90 W
Number of persons in the room	2 x 100 W = 200 W
Additional heat sources	1 x 1 000 W = 1 000 W
Necessary cooling power of AC	2 690 W → AIR 35

* Depends of insulation, height of the room 2.5 m



Maximum length and the vertical distance



Model name	Pipe dimension		Standard length (m)	Max. length B (m)	Max. length A (m)	Additional charge (g/m)
	Gas	Liquid				
AIR 26	3/8"	1/4"	5	8	15	20
AIR 35	3/8"	1/4"	5	8	15	20
AIR 53	1/2"	1/4"	5	8	15	20

AIR CONDITIONERS



Alpha Solar & Heizungstechnik GmbH
 Lilienthalstraße 29
 85399 Hallbergmoos
 E-Mail: verkauf@alpha-solar.info
 www.alpha-solar.info

www.alpha-solar.info

Complete set:

AIR
Outdoor
inverter unit



Indoor unit
with airflow
direction control

Remote control



Advantages:

- Coling capacity:
 - 2.6 kW
 - 3.5 kW
 - 5.3 kW
- SCOP > 4,0
- SEER > 6,1
- Energy class A+ (heating)
- Energy class A++ (cooling)
- Internal unit equipped with a 5-speed fan, including "auto" mode
- Silent night-time mode
- Internal unit with backlit display

Model name		AIR26	AIR35	AIR53
Pdesign Cooling	W	2600	3400	5000
Pdesign Heating Average	W	2700	3900	5600
SEER	Cooling	6.1	6.1	6.1
SCOP	Heating Average	4	4	4
Energy Class	Cooling	A++	A++	A++
Energy Class	Heating Average	A+	A+	A+
Cooling Capacity	W	2600 (1000-3000)	3400 (1000-4000)	5000 (1000-6000)
Heating Capacity	W	2700 (1000-3000)	3900 (1000-4200)	5600 (1600-6250)
Input-Cooling	W	855 (190-1500)	1140 (190-1600)	1540 (260-2300)
Input-Heating	W	700 (190-1500)	1080 (190-1600)	1550 (350-2300)
Moisture Removal	l/h	0.9	1.2	2.0
Air Circulation	m ³ /h	550	580	1000
EER for Cooling	W/W	3.04	2.98	3.25
COP for Heating	W/W	3.86	3.61	3.62
Max current	A	7.5	8	12.3
Refrigerant		R32	R32	R32
Refrigerant charge volume	g	480	640	1200
Indoor Unit Noise Level - Sound Power	dB (A)	56	56	60
Indoor Unit Noise Level - Sound Pressure	dB (A)	39/38/36/34/31/28	39/38/36/34/31/28	46/44/42/40/38/33
Outdoor Unit Noise Level - Sound Power	dB (A)	62	62	65
Outdoor Unit Noise Level - Sound Pressure	dB (A)	47/54	47/54	47/56
Annual energy consumption (cooling)	kWh/a	149	195	287
Annual energy consumption (heating)	Warmer	/	/	/
	Average	700	980	1645
	Colder	/	/	/
Power Supply				
Voltage, Frequency, Phase	V	1/N/PE ~ 230V/50Hz	1/N/PE ~ 230V/50Hz	1/N/PE ~ 230V/50Hz
Rated Current	Cooling (A)	3.9	5	6,8
	Heating (A)	3.1	4.8	7
System				
Compressor type		Rotary	Rotary	Rotary
Connecting Pipe Diameter				
Liquid Pipe	"	1/4	1/4	1/4
Gas Pipe	"	3/8	3/8	1/2
Features				
Display on Front Panel		LED	LED	LED
LCD Wireless Remote Controller		•	•	•
Removable and washable Panel		•	•	•
Washable PP Filter		•	•	•
24 Hours Timer		•	•	•
5 Speed and Auto Indoor Fan Control		•	•	•
Vertical Auto Swing Louver		•	•	•
Sleep Operation		•	•	•
Smart Function		nein	nein	nein
Super Function		•	•	•
Auto Restart		•	•	•
Silent Mode		•	•	•
Dimmer		•	•	•
2 Ways Draining Connection (Left or Right)		•	•	•
Low ambient temperature cooling		•	•	•
Horizontal Auto Swing Louver		-	-	-
8 degree celsius heating		•	•	•
Other				
Net Dimensions W×H×D (mm)	Indoor Unit	780×270×212	780×270×212	960×315×235
	Outdoor Unit	660×483×240	660×483×240	815×585×280
Net Weight (Kg)	Indoor Unit	7.5	7.5	12
	Outdoor Unit	22	24	38
Packing Dimensions W×xH×D (mm)	Indoor Unit	830×335×260	830×335×260	1022×380×302
	Outdoor Unit	780×530×315	780×530×315	940×630×385
Gross Weight (Kg)	Indoor Unit	9	9	14
	Outdoor Unit	25	27	42
Operating Temp Range	cooling	-15 °C - 43 °C	-15 °C - 43 °C	-15 °C - 43 °C
	heating	-15 °C - 24 °C	-15 °C - 24 °C	-15 °C - 24 °C